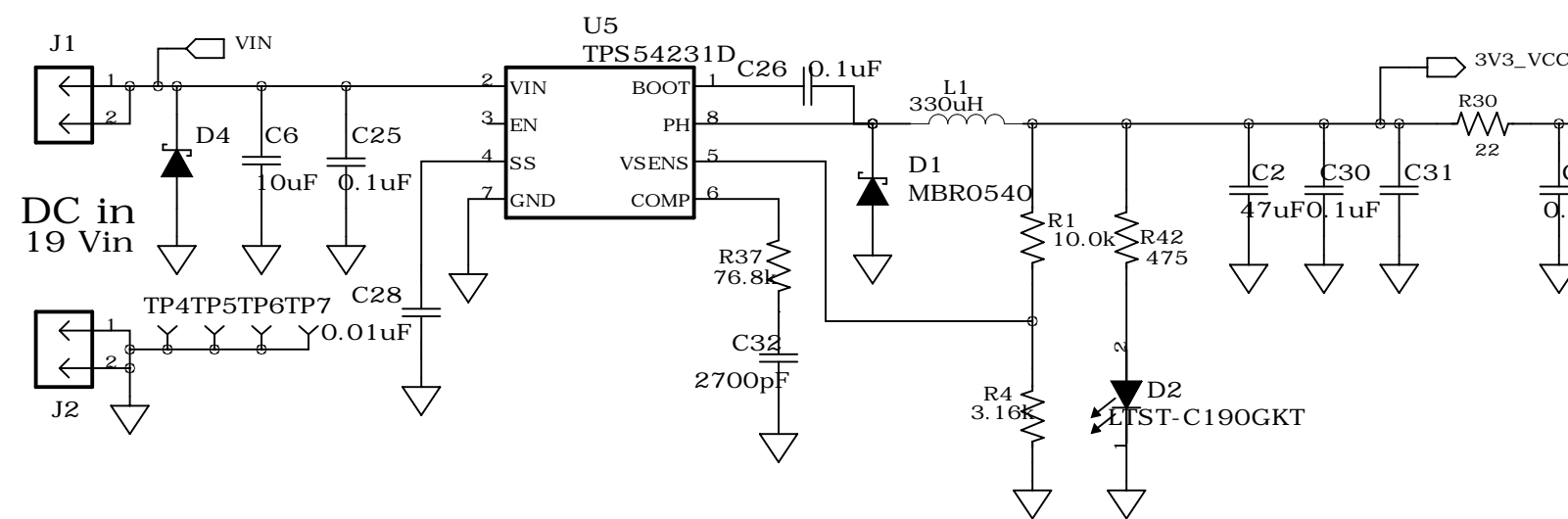
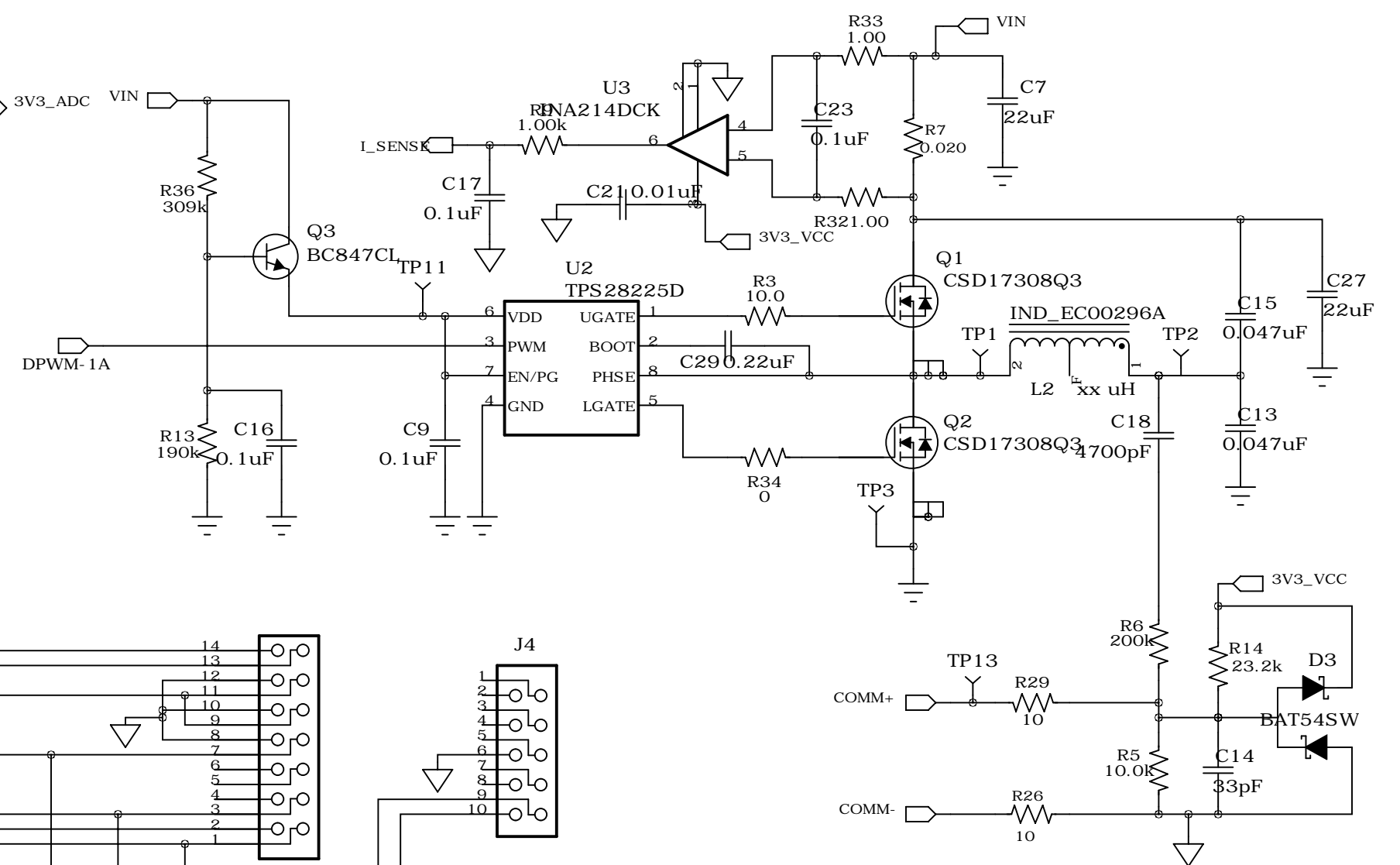


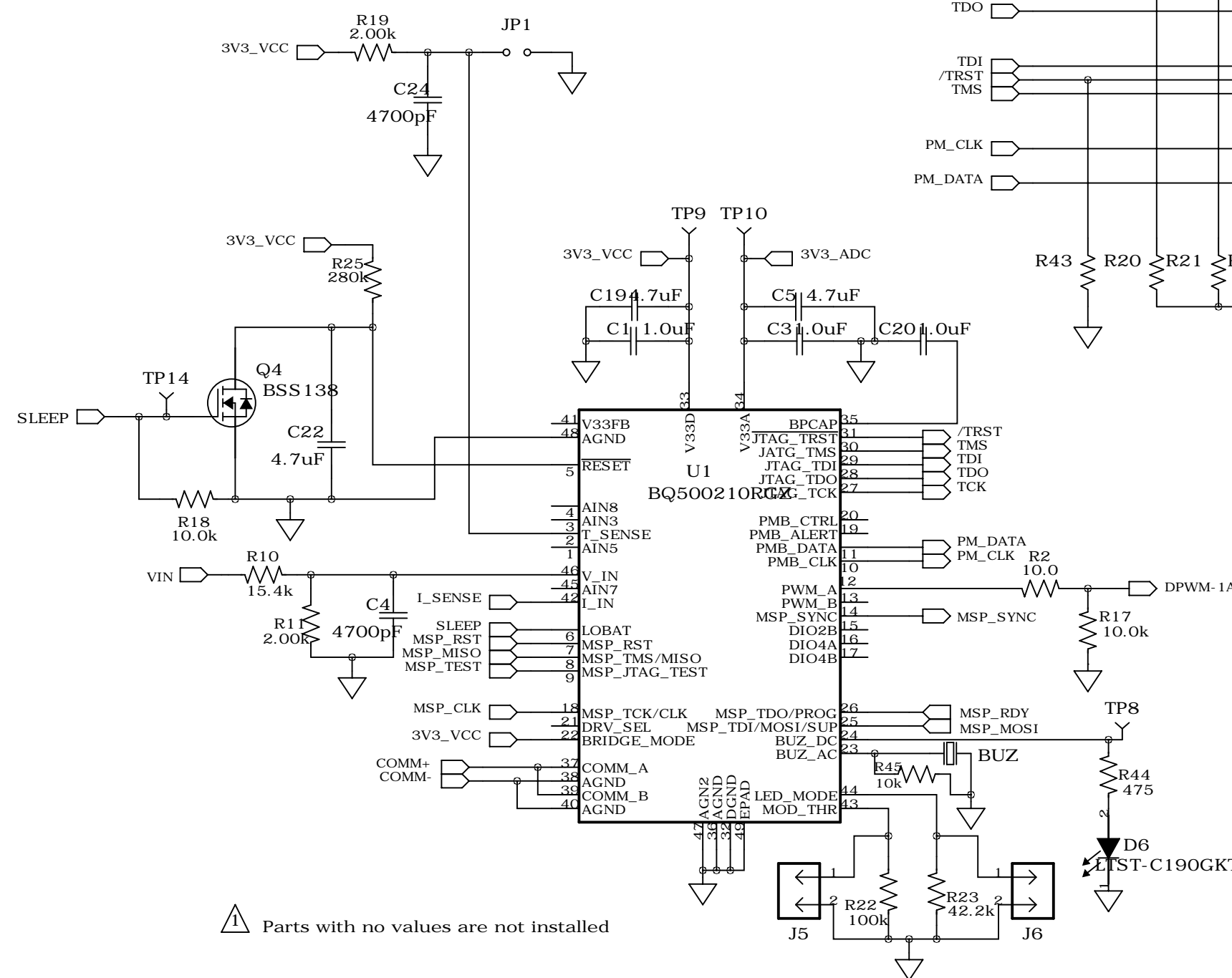
Buck Regulator



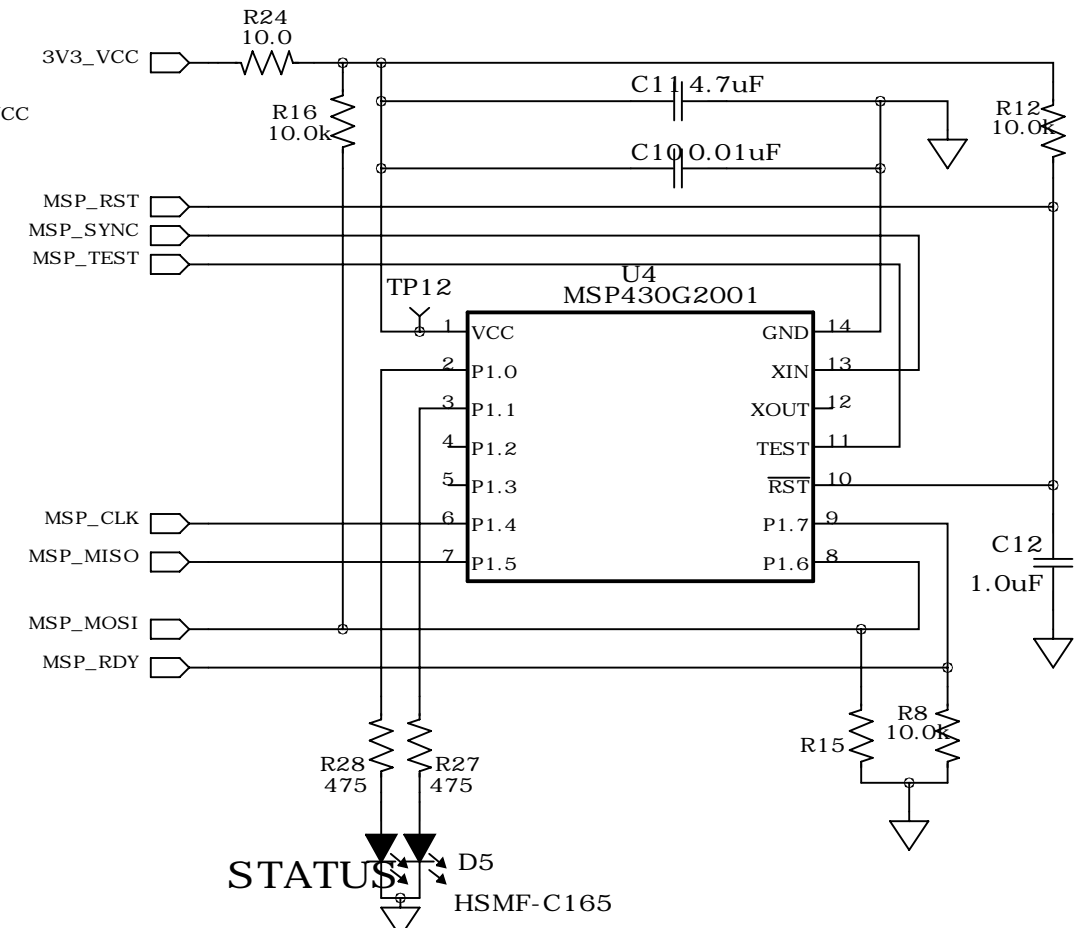
Power Train



Temp Sensor



Low Power Supervisor



Parts with no values are not installed

Texas Instruments			
Title bq500210EVM-689			
Size C	Number HPA689	Rev A	
Date 5/09/2011	Drawn by Stoneham		
Engineer B. Johns	Filename HPA689A.sch	Sheet 1	of 1